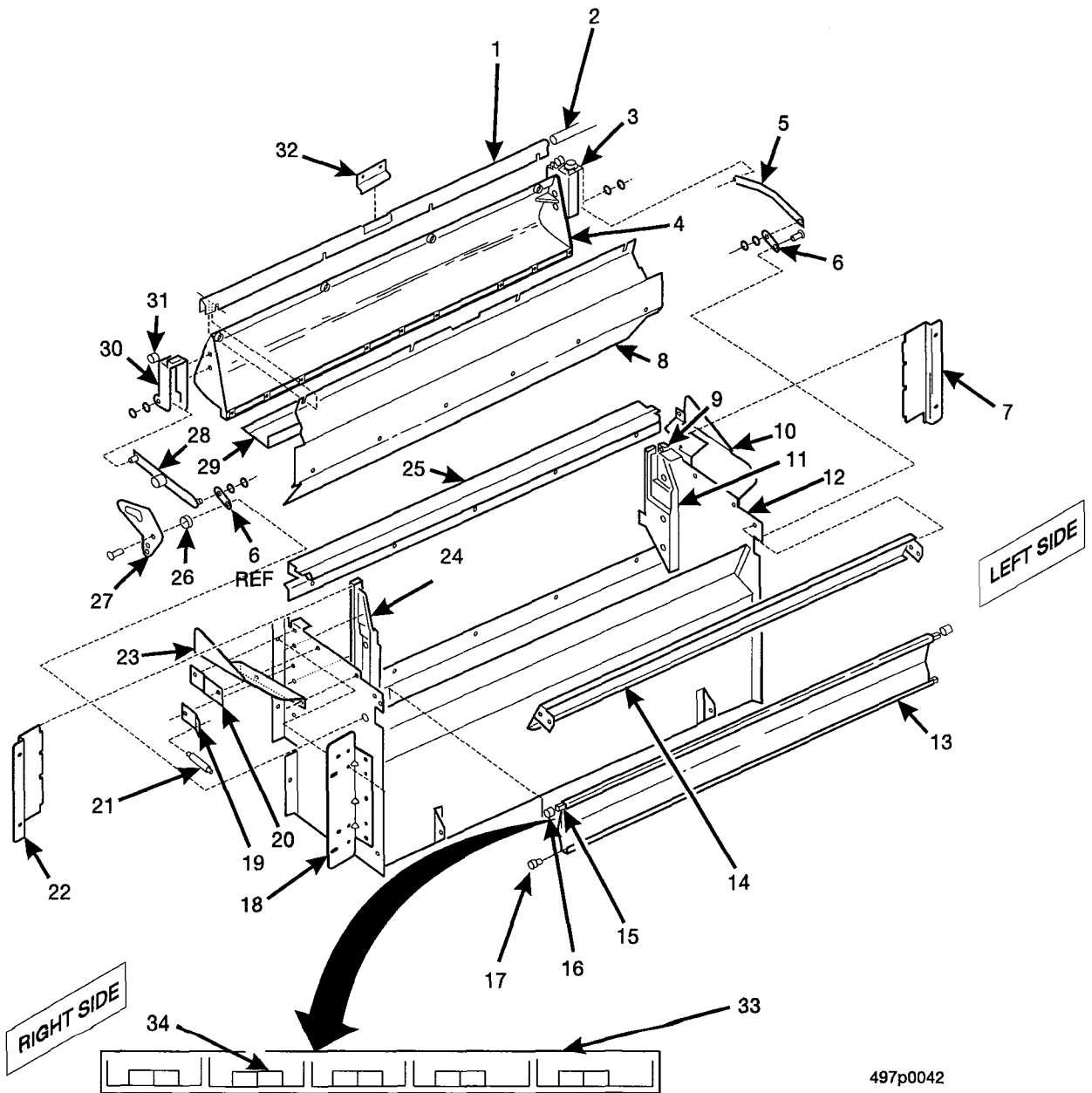


Delivery Pan Assemblies Parts Supplement

(For assemblies 1572043, 1602039, 4852085, 4972009)

Delivery Pan Assemblies Parts Supplement



497p0042

Figure 1. Delivery Pan Assembly

Delivery Pan Assemblies Parts Supplement

TABLE 1. DELIVERY PAN ASSEMBLY

INDEX	PART NUMBER	DESCRIPTION	QTY.
-	1572043	DELIVERY PAN ASSEMBLY (157, 257, 464)	1
	1602039	DELIVERY PAN ASSEMBLY (158, 258, 475, 484, 487)	
	4852085	FLAP DELIVERY PAN ASSEMBLY (485, 486, 493)	
	4972009	FLAP DELIVERY PAN ASSEMBLY (497)	
1	1412028	CHANNEL - DOOR (157, 257, 464), (497)	1
	1462035	CHANNEL - DOOR (158, 258, 475, 484, 487), (485, 486, 493)	
-	1170206	SCREW #8-32 X 3/8 THS BLACK	4
-	1402052	NUT CARRIAGE #8-32	4
2	1472228	SHAFT - DOOR PIVOT (157, 257, 464), (497)	1
	1482002	SHAFT - DOOR PIVOT (158, 258, 475, 484, 487), (485, 486, 493)	1
3	1472272	ACTUATOR - DELIVERY DOOR - L.H. (157, 257, 464), (497)	1
	1482252	ACTUATOR - DELIVERY DOOR - L.H. (158, 258, 475, 484, 487), (485, 486, 493)	
-	1170206	SCREW - #8-32 X 3/8 THS BLACK	2
-	1412046	8-32 NUT MF 23TW832 BLOX	2
4	1472137	DOOR - DELIVERY - GRAY (157, 257, 464), (497)	1
	1582024	DOOR - DELIVERY - GRAY (158, 258, 475, 484, 487), (485, 486, 493)	
5	4402017	ACTUATOR ASSEMBLY	1
-	9900146	RETAINING RING E TYPE .312	2
-	9900171	WASHER BRASS 9/16 X.315 X.040	2
6	1472145	ACTUATOR - REAR PIVOT	2
-	1170206	SCREW - #8-32X3/8 THS BLACK	1
-	9900202	SCREW - #8-32 X 5/8 PHS W/LKW	1
-	2204093	WASHER - SCAVENGER BAR	1
7	4972143	FILLER - L.H. (497)	
8	1472108	LINER - DOOR - PILFERAGE (157, 257, 464), (497)	1
	1482163	LINER - DOOR - PILFERAGE (158, 258, 475, 484, 487), (485, 486, 493)	
-	7207019	SCREW - #8-18 X 3/8 PHS TAPPING	6
9	1472069	BRACKET - DOOR PIVOT - L.H.	1
-	1170206	SCREW - #8-32 X 3/8 THS BLACK	1
-	9900081	NUT - #8-32 KEPS ZINC PLATE	1
10	1572169	DEFLECTOR - COMMON - LARGE SNACK (157, 257, 464)	1
	1602014	DEFLECTOR - L.H. - SMALL SNACK (158, 258, 475, 484, 487)	
	4852044	DEFLECTOR - PRODUCT - L.H. (485, 486, 493)	
	4972147	DEFLECTOR - LEFT HAND (497)	
-	1170206	SCREW - #8-32 X 3/8 THS BLACK	2
-	9900081	NUT - #8-32 KEPS ZINC PLATE	2
11	1412023	FILLER - LEFT (157, 257, 464), (497)	1
	1602034	FILLER - LEFT (158, 258, 475, 484, 487), (485, 486, 493)	
-	1306140	8-32X3/8 CARR BOLT BLK/OX	3

Delivery Pan Assemblies Parts Supplement

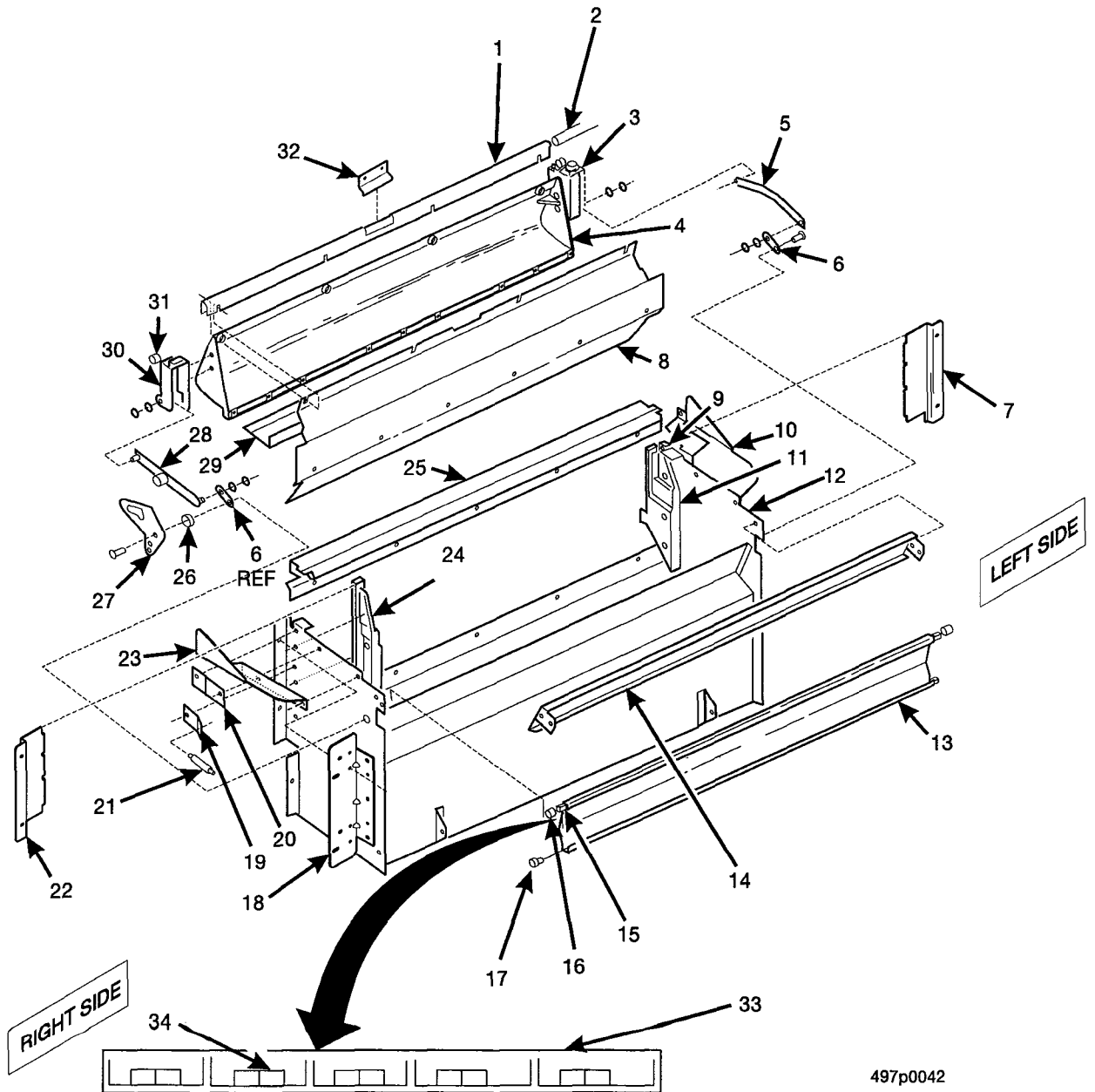


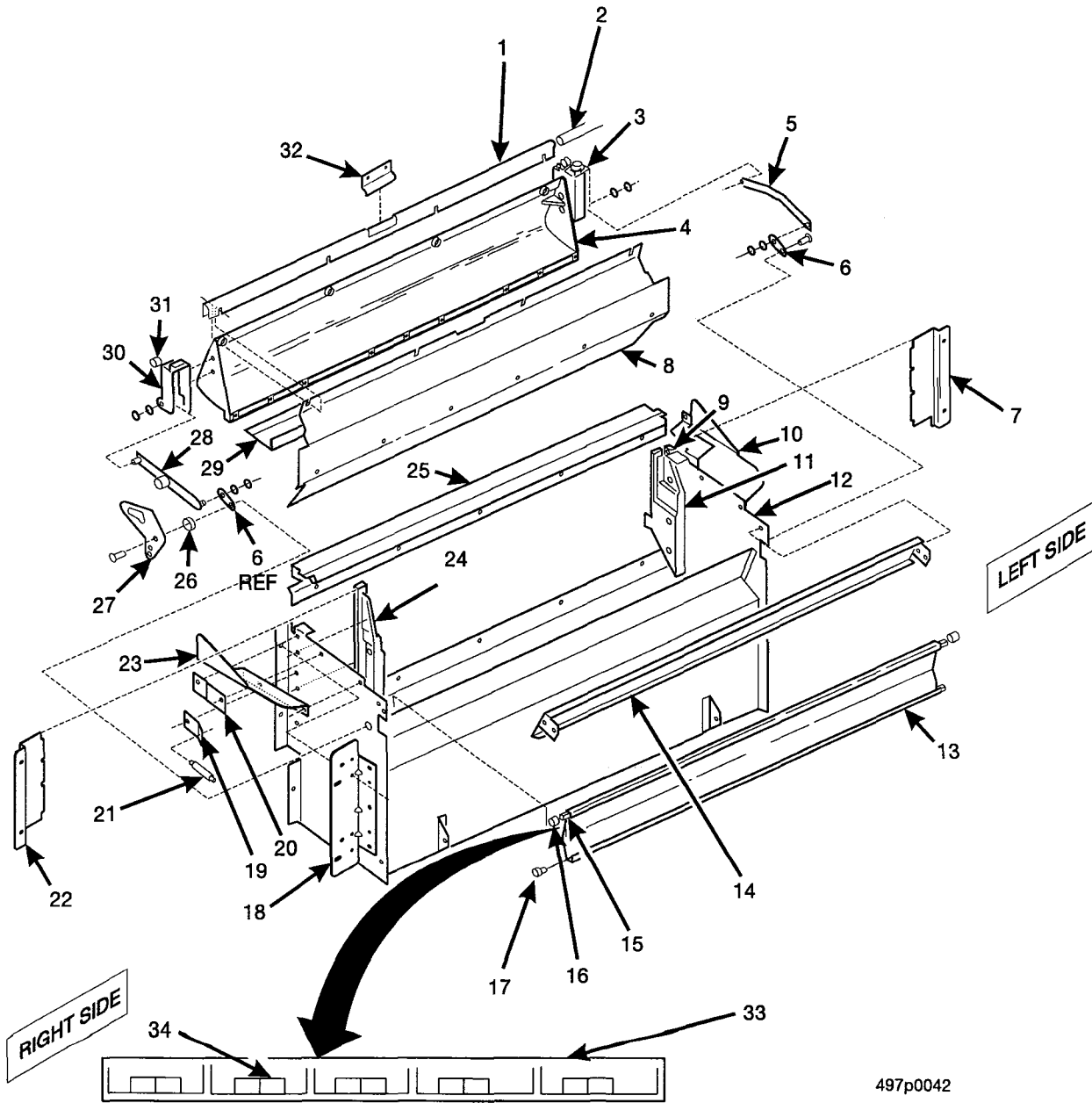
Figure 1. Delivery Pan Assembly (Continued)

Delivery Pan Assemblies Parts Supplement

TABLE 1. DELIVERY PAN ASSEMBLY (CONTINUED)

INDEX	PART NUMBER	DESCRIPTION	QTY.
-	9900081	NUT #8-32 KEPS ZINC PLATE	3
12	1472288	WELD ASSY-DELIVERY PAN (157, 257, 464), (497)	1
	1602038	WELD ASSY-DELIVERY PAN (158, 258, 475, 484, 487), (485, 486, 493)	
13	1472138	ASSEMBLY - REAR DELIVERY DOOR (157, 257, 464), (497)	1
	1482171	ASSEMBLY - REAR DELIVERY DOOR (158, 258, 475, 484, 487), (485, 486, 493)	
14	1472082	FILLER - DELIVERY PAN (157, 257, 464)	1
	1482159	FILLER - LEFT - GRAY (158, 258, 475, 484, 487), (485, 486, 493)	
	1472082	FILLER - DELIVERY PAN (FLAP DOOR WITHOUT GUM AND MINT) (497)	
	1472427	FILLER - UPPER REAR LONG (ROTARY DOOR WITHOUT GUM AND MINT) (497)	
-	1451097	SCREW - #8-32 X .31 HEX HD.TF - BLK.	4
-	3108030	ACORN NUT	2
15	1472087	WASHER - .38 I.D. X .56 O.D	2
16	1472083	SPACER	2
17	4042556	CANOE CLIP	2
18	4972144	BRACKET - ENDPLATE - COMMON (497) (SEE FIGURE 4 FOR DETAILS)	2
19	2342110	BRACKET - SPRING	1
20	1472068	BRACKET - DOOR PIVOT-R.H.	1
-	1170206	SCREW - #8-32 X 3/8 THS BLACK	1
-	9900081	NUT - #8-32 KEPS ZINC PLATE	1
21	4246044	SPRING - ELEVATOR GUIDE ARM	1
22	4972142	FILLER - R.H. ((SEE FIGURE 4 FOR DETAILS)) (497)	
23	1572029	DEFLECTOR - PRODUCT - R.H. (157, 257, 464), (158, 258, 475, 484, 487), (485, 486, 493)	1
	4972146	DEFLECTOR - PRODUCT - OUTSIDE - R.H. (497)	
-	1170206	SCREW - #8-32 X 3/8 THS BLACK	2
-	9900081	NUT - #8-32 KEPS ZINC PLATE	2
24	1412022	FILLER - RIGHT - BLACK (SEE FIGURE 4 FOR DETAILS)	1
-	1306140	8-32 X 3/8 CARR BOLT BLK/OX	3
-	9900081	NUT - #8-32 KEPS ZINC PLATE	3
25	1472200	PAN - DELIVERY - FRONT - BLACK (157, 257, 464), (497)	1
	1482187	PAN - DELIVERY - FRONT - BLACK (158, 258, 475, 484, 487), (485, 486, 493)	
-	1306140	8-32 X 3/8 CARR BOLT BLK/OX (157, 257, 464), (497)	5
		8-32 X 3/8 CARR BOLT BLK/OX (158, 258, 475, 484, 487), (485, 486, 493)	4
-	9900081	NUT #8-32 KEPS ZINC PLATE (157, 257, 464), (497)	5
		NUT #8-32 KEPS ZINC PLATE (158, 258, 475, 484, 487), (485, 486, 493)	4

Delivery Pan Assemblies Parts Supplement



497p0042

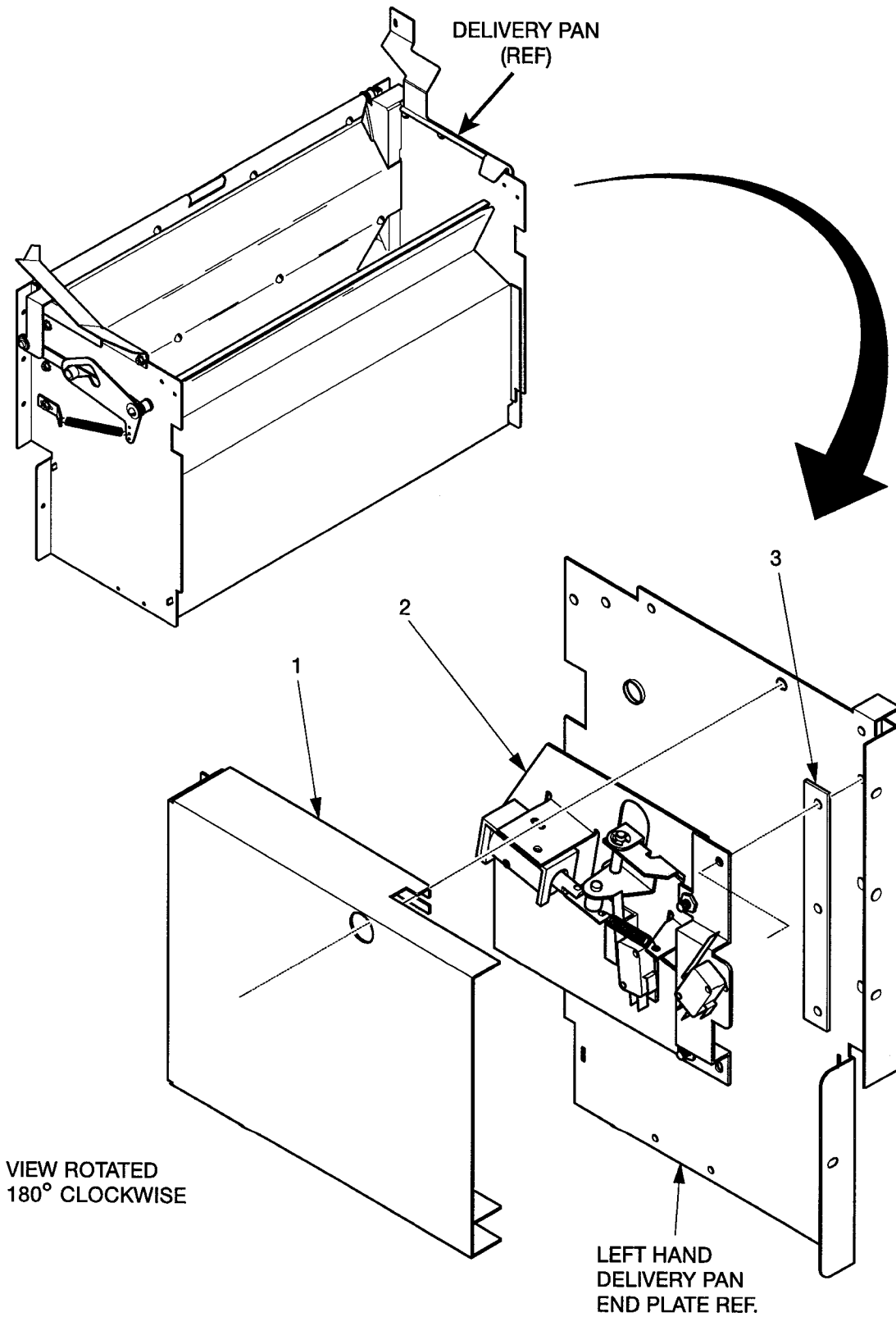
Figure 1. Delivery Pan Assembly (Continued)

Delivery Pan Assemblies Parts Supplement

TABLE 1. DELIVERY PAN ASSEMBLY (CONTINUED)

INDEX	PART NUMBER	DESCRIPTION	QTY.
26	2342109	BUSHING - DELIVERY - LINKAGE	1
27	4402016	PLATE - DOOR RETENTION	1
28	1472156	ACTUATOR ASSEMBLY - RIGHT	1
-	9900146	RETAINING RING E TYPE .312	2
-	9900171	WASHER BRASS 9/16 X.315 X.040	2
29	1412047	ANGLE - DELIVERY DOOR (157, 257, 464), (497)	1
	1462073	ANGLE - DELIVERY DOOR (158, 258, 475, 484, 487), (485, 486, 493)	
30	1472271	ACTUATOR - DELIVERY DOOR - R.H. (157, 257, 464), (497)	1
	1482251	ACTUATOR - DELIVERY DOOR - R.H. (158, 258, 475, 484, 487), (485, 486, 493)	
-	1170206	SCREW - #8-32 X 3/8 THS BLACK	2
-	1412046	8-32 NUT MF 23TW832 BLOX	2
31	1472219	SPACER	2
32	1472142	RETAINER - DOOR PIVOT (497)	
33	1472088	LABEL - GUM & MINT SELECTIONS (157, 257, 464), (158, 258, 475, 484, 487), (485, 486, 493)	1
	1472430	LABEL - GUM & MINT (497)	
34	1472105	PRICE LABELS - GUM & MINT (\$ AND ¢)	1
-	1472435	PAD - DELIVERY PAN (NOT SHOWN)	-

Delivery Pan Assemblies Parts Supplement



497p0082

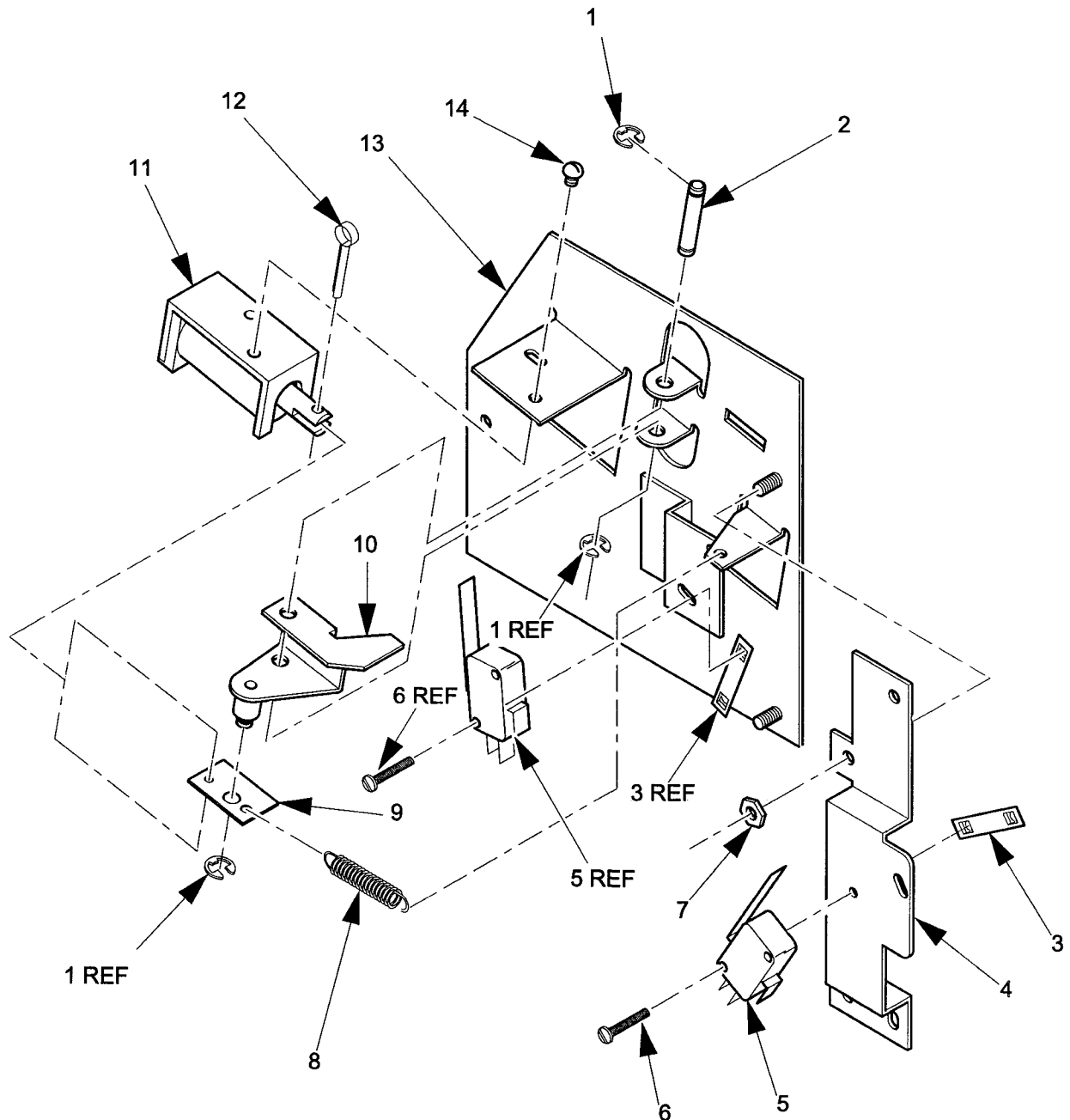
Figure 2. Delivery Pan Latch Mechanism - Part 1 of 3 (Food Module Equipped Machines Only)

Delivery Pan Assemblies Parts Supplement

TABLE 2. DELIVERY PAN LATCH MECHANISM - PART 1 OF 3 (FOOD MODULE EQUIPPED MACHINES ONLY)

INDEX	PART NUMBER	DESCRIPTION	QTY.
1	402027	COVER - LATCH MECHANISM	1
2	-	DELIVERY PAN SOLDNOID LOCK ASSEMBLY (SEE FIGURE 3 FOR DETAILS)	OPT.
3	1572265	SPACER - SOLENOID LOCK	1

Delivery Pan Assemblies Parts Supplement



467p0008

Figure 3. Delivery Pan Latch Mechanism - Part 2 of 3 (Food Module Equipped Machines Only)

Delivery Pan Assemblies Parts Supplement

TABLE 3. DELIVERY PAN LATCH MECHANISM - PART 2 OF 3 (FOOD MODULE EQUIPPED MACHINES ONLY)

INDEX	PART NUMBER	DESCRIPTION	QTY.
1	9900418	RETAINING RING - REINF "E" TYPE - .187	3
2	4402022	PIN - LATCH	1
3	4302316	FASTENER - TWIN TYPE	2
4	1572264	BRACKET - SWITCH MOUNTING	1
5	4302319	SWITCH - LEVER - 1 7/8	2
6	1217160	4-40 X 5/8 RMS M SCREW Z/Y	4
7	9900081	NUT - #8-32 KEPS Z/P	2
8	1127808	SPRING - SHELF RESET	1
9	4402047	LINK - SOLENOID	1
10	4402023	LATCH AND STUD ASSEMBLY	1
11	4252030	SOLENOID - 24 VDC	1
12	9900098	COTTER PIN - 3/32 X 3/4 INCH	1
13	1572266	PLATE AND BRACKET ASSEMBLY	1
14	9900090	SCREW - #6-32 X 3/16 RHS W/LKW	2

Delivery Pan Assemblies Parts Supplement

TABLE 4. FLAP DELIVERY PAN ASSEMBLY (PART 3 OF 3) - FOOD AND CAN OPTIONS

INDEX	PART NUMBER	DESCRIPTION	QTY.
1	1412022	FILLER RIGHT	1
2	4972144	BRACKET - ENDPLATE - COMMON	1
3	4972142	FILLER - R.H.	1

RIGHT HAND SIDE IS SHOWN -
LEFT SIDE IS SIMILAR

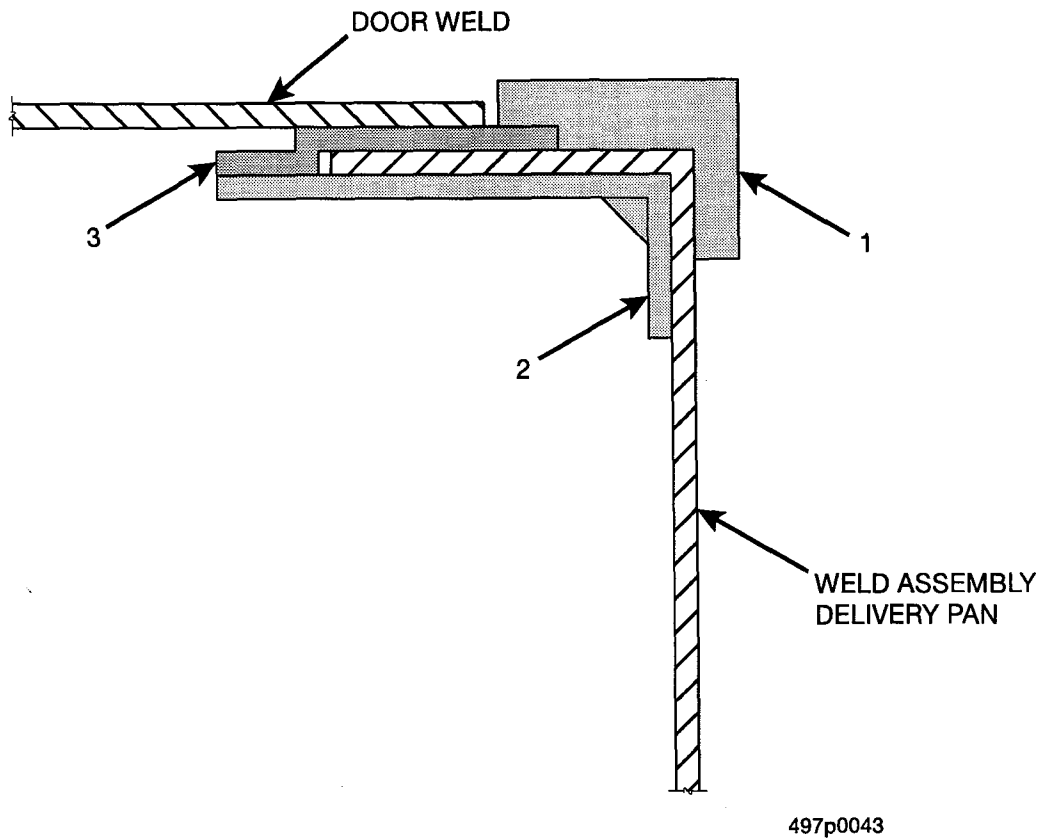


Figure 4. Flap Delivery Pan Assembly (Part 3 of 3) - Food and Can Options